

Description

The series of split core current sensors are designed for fast and easy installation. Split-core transformers are ideal for installation on existing electrical wiring by snapping around the conductor. This method permits a safe, easy and portable current measurement.

Features:

- Small size, low cost
- High secondary turns



Specifications

- Rated Current 5A to 1000A
- Rated Output 0.333Vac/5A/1A
- Current Ratio 3000:1 or as per customer data
- Insulation Voltage 600Vac
- Maximum Primary Voltage 5000Vac (Insulated Conductor)
- Operating Temperature -15C to 60C
- Frequency Range 50-400Hz
- Leads 4Foot(105cm), UL 1015, Twisted Pair, 0.34 mm²(22AWG)
- CE recognized
- Output and leads can be customized
- RoHS Compliant

quotation

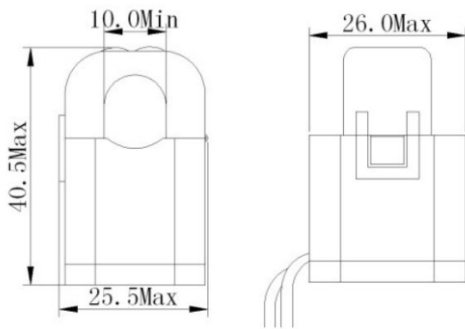
Model	Rated current(A)	Accuracy
XH-SCT-T10	10/20/50/75	0.5~1
XH-SCT-T16	50/75 /100	0.5~1
XH-SCT-T24	100/150/200/250	0.5~1
XH-SCT-T36	200/250/300/400/500/600	0.5~1
XH-SCT-T10	800/1000	0.5~1

XH-SCT-T10

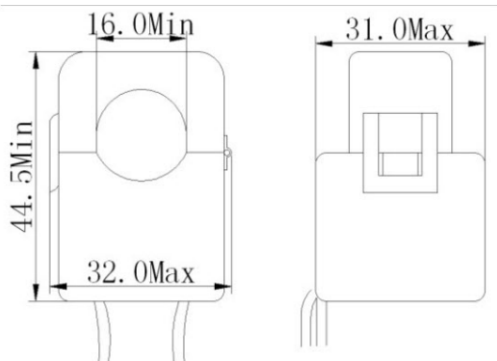
split core current transformer 10mm hole diamter

Dimensions

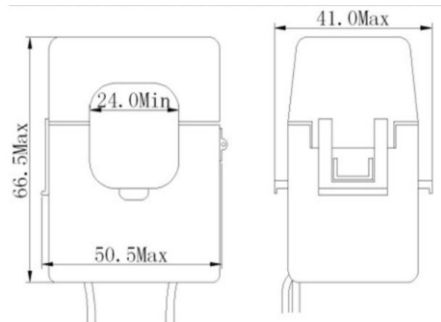
XH-SCT-T10



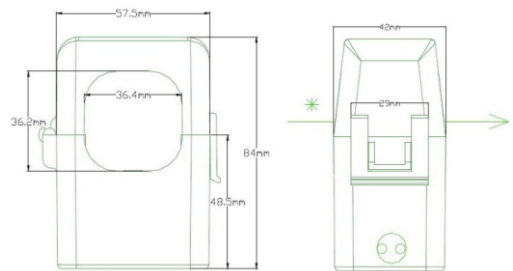
XH-SCT-T16



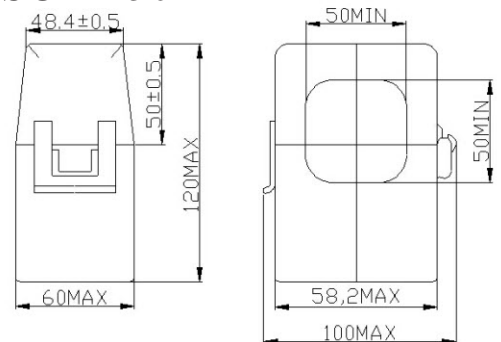
XH-SCT-T24



XH-SCT-T36



XH-SCT-T50



Part Number Scheme

CT - SP - 400A - 330mV

Code	Description
CT	Current Transformer

Code	Style
SP	Split Core

Code	Output Signal
330mV	330mV AC output

Code	Primary Current
10A	100AAC
20A	200AAC
50A	300AAC
75A	400AAC
100A	500AAC
150A	600AAC
200A	750AAC
250A	800AAC
300A	900AAC
400A	1000AAC
500A	1100AAC
600A	1200AAC
800A	1200AAC
1000A	1200AAC